



QUICK SETUP GUIDE

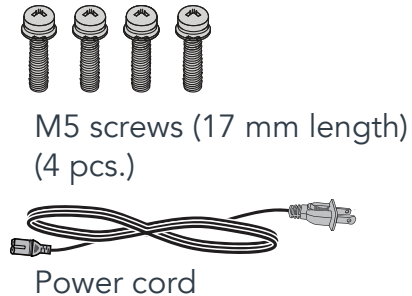
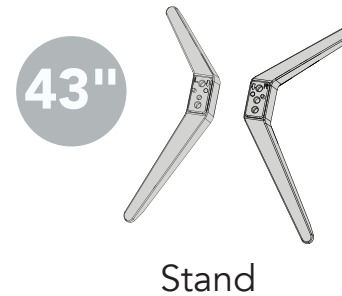
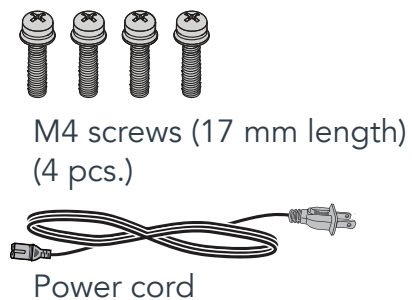
32" / 43" 60 Hz LED TV

PN32451-23U | PN43651-23U

INCLUDED ACCESSORIES



Voice Remote with Alexa and two AAA batteries



IMPORTANT: See the installation instructions and online USER GUIDE before connecting the power cord.

FIND YOUR USER GUIDE ONLINE!

Go to www.usca.pioneer-tv.com and search for **PN32451-23U** or **PN43651-23U**.

WHAT YOU NEED (not included)

- Phillips screwdriver
- Internet connection (wired or wireless) *

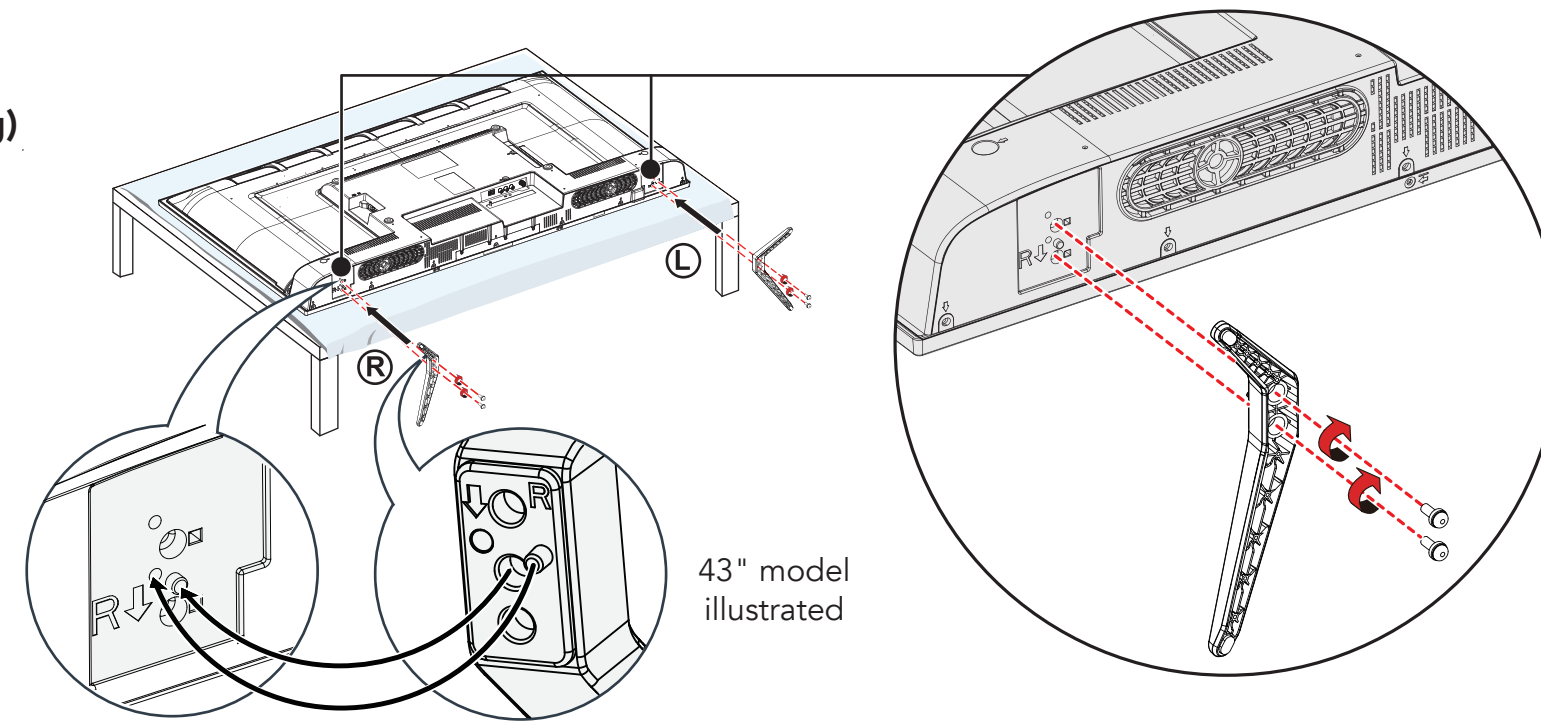
*Subscription or other payment may be required to access certain content.

STOP
Before using your new product, read these instructions to prevent any damage. Do not plug your power cord in until all other devices have been connected.

1 START HERE

How do I attach the stands to my TV? (not for wall mounting)

You need: Soft surface and a Phillips screwdriver. Carefully place your TV face-down on a cushioned, clean surface. Secure each TV stand to the bottom of your TV with two of the provided screws. The stands are labeled **R** (right) and **L** (left).



WALL MOUNT

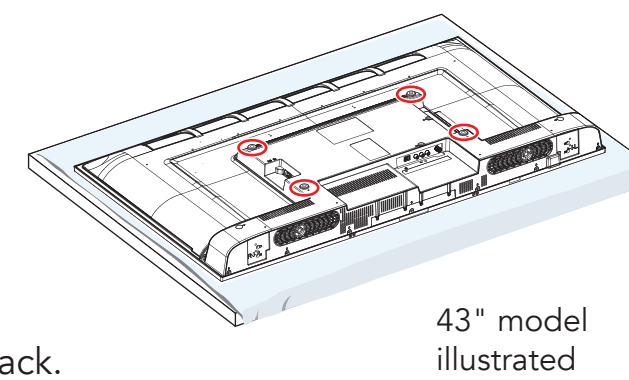
Before you mount your TV, make sure that:

- You remove the stands.
 - The wall-mount bracket supports the weight of your TV.
- See the instructions that came with your wall mount for more information about how to correctly mount your TV.

WARNING: Your TV has four VESA mounting holes on the back. You must secure a wall-mount bracket to all four holes.

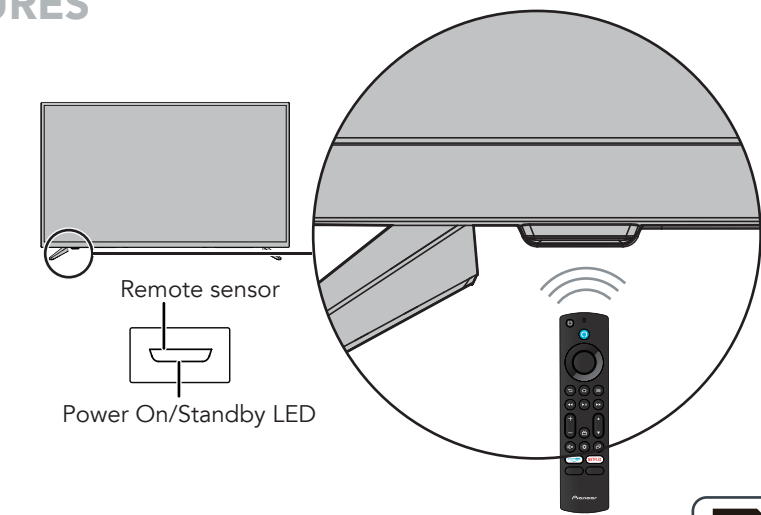
If you do not use all four holes, your TV may fall and cause property damage or personal injury.

Note: Wall-mount screws are not included.

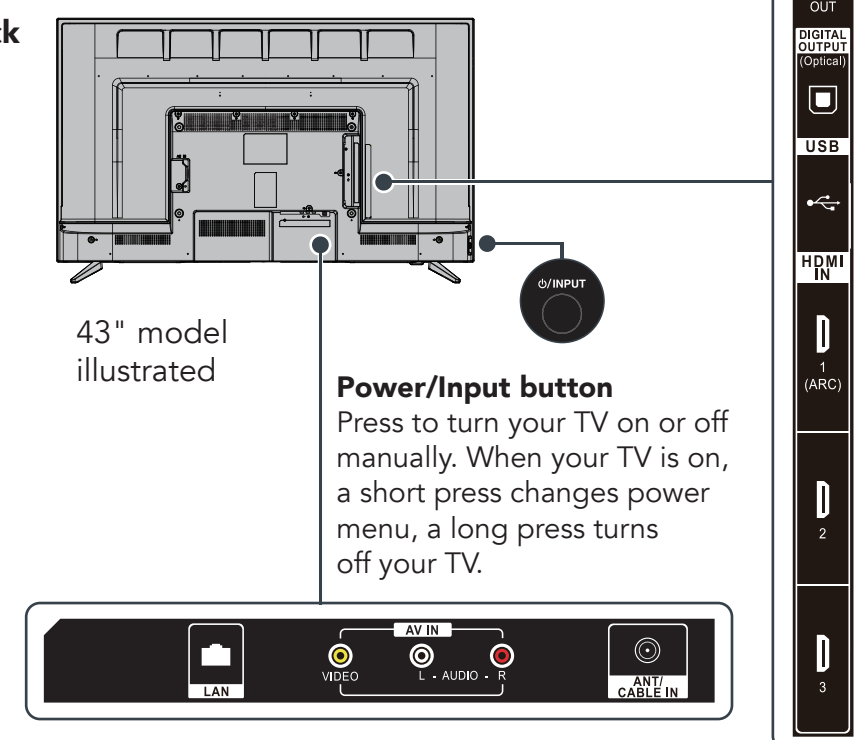


FEATURES

Front



Back



Power/Input button

Press to turn your TV on or off manually. When your TV is on, a short press changes power menu, a long press turns off your TV.

Before using your new product, please read these instructions to prevent any damage.

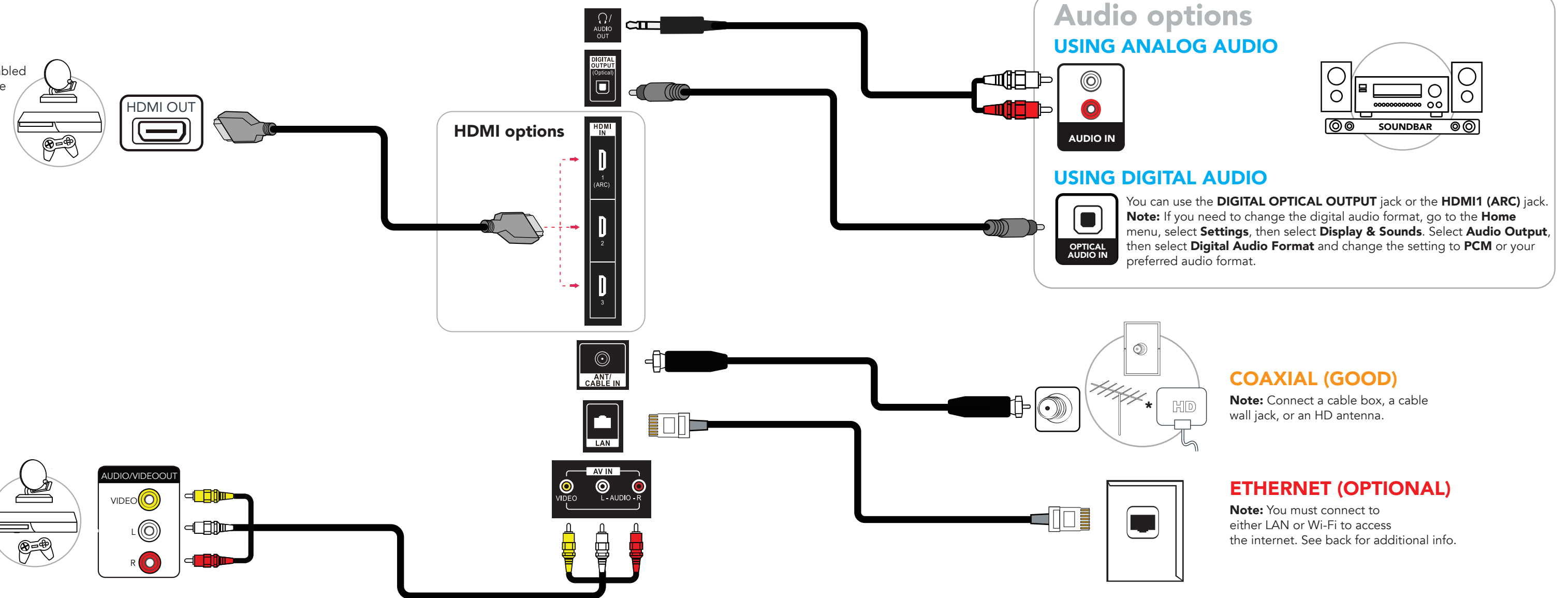
2 MAKING CONNECTIONS

How do I watch TV (cable, satellite, or antenna) or connect a device such as a DVD or Blu-ray disc player or game console? How do I connect to the internet?

HDMI® (BEST)

Best video quality

Note: Connect an ARC-enabled home theater receiver to the **HDMI IN 1 (ARC)** jack.



Audio options USING ANALOG AUDIO

USING DIGITAL AUDIO

You can use the **DIGITAL OPTICAL OUTPUT** jack or the **HDMI1 (ARC)** jack. **Note:** If you need to change the digital audio format, go to the **Home** menu, select **Settings**, then select **Display & Sounds**. Select **Audio Output**, then select **Digital Audio Format** and change the setting to **PCM** or your preferred audio format.

COAXIAL (GOOD)

Note: Connect a cable box, a cable wall jack, or an HD antenna.

ETHERNET (OPTIONAL)

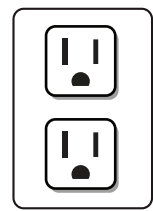
Note: You must connect to either LAN or Wi-Fi to access the internet. See back for additional info.

3 TURNING ON MY TV

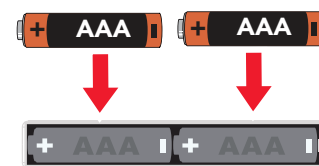
When can I turn on my TV?

WHEN YOUR TV IS IN PLACE:

1 Plug the power cord into the **AC IN** jack on the back of your TV, then plug the other end into a power outlet.



2 Remove the remote control cover and install the batteries.



3 Press on your Voice Remote with Alexa.

4 Follow the on-screen instructions.

4 COMPLETE THE ON-SCREEN SETUP

How do I complete on-screen setup?

Your TV should automatically be paired to your new Voice Remote with Alexa.

1 If there are issues, you are prompted to pair your remote by pressing . If you continue to have issues, try re-inserting your batteries or replacing them.

2 Select your Wi-Fi network from the networks displayed on the screen.

Note: If your Wi-Fi network is password protected, have your Wi-Fi network password handy to connect your TV to the internet. If your network is hidden, select the **Join Other Network** tile. If required, enter your network password using the on-screen keyboard.

3 Select your experience: **Full** (Recommended) or **Basic**.

- **Full:** Get the most out of your experience with access to live TV, over one million movies and TV episodes, thousands of apps, and Alexa skills. To get started, sign into or sign up for a free Amazon account.

- **Basic:** This experience is limited to live TV and only six streaming apps. Alexa and the full Appstore are not included.

5 OPTIONAL

How do I watch over-the-air TV?

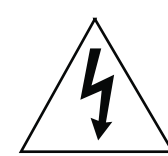
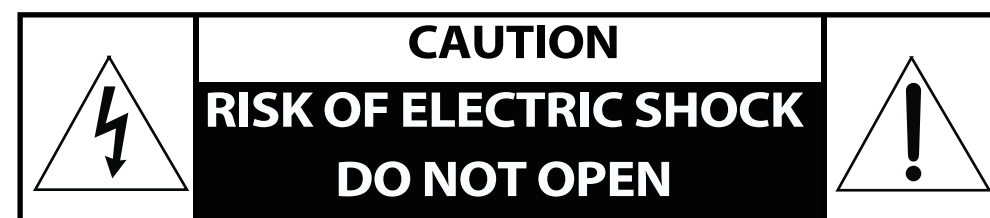
If you connected your TV to an antenna or cable wall jack, complete the following steps:

1 When setup is complete, run a channel scan by going to **Settings > Live TV > Channel Scan**.

2 Follow the on-screen instructions to finish scanning for channels.

3 To browse and watch live over-the-air TV, use the **On Now** row or press (Guide) on your remote.

To reduce the risk of fire or electric shock, do not remove any cover or expose the device to rain or moisture. No user-serviceable parts are inside. Refer servicing to qualified service technicians.



This symbol indicates that dangerous voltage constituting a risk of electric shock is present within your TV. This label is located on the back of your TV.



This symbol indicates that there are important operating and maintenance instructions in the literature accompanying your TV.

SERVICING

Servicing instructions are for use by qualified service personnel only. To reduce the risk of electric shock, do not perform any servicing other than that contained in the operating instructions unless you are qualified to do so.

AMAZON TERMS & POLICIES

Before using Fire TV Edition, please read the terms located at www.amazon.com/deviceservices/support. Please also read all terms and policies for services related to Fire TV Edition, including but not limited to Amazon's Privacy Notice located at www.amazon.com/privacy, Amazon's Conditions of Use located at www.amazon.com/conditionsofuse, and any other terms or usage provisions available at www.amazon.com/deviceservices/support. All terms, rules, notices, policies, and provisions are, collectively, the "Agreements." By using Fire TV Edition, you agree to be bound by the terms of the Agreements.

USING YOUR VOICE REMOTE WITH ALEXA

- Power**
Turns TV power on or off. When your TV is off, the LED indicator on the front of your TV is lit.
- Voice**
Holding down the Voice Button activates the Alexa-enabled microphone on the remote, and initiates voice input. Releasing the Voice Button ends voice input. With Alexa, you can use your voice to search for content, control playback, and more. (Alexa Voice Service requires an Amazon account).
- Select**
Confirms a selection or action.
- Home**
Opens the Quick Settings Overlay.
- Navigation**
Use for on-screen navigation (up, down, left, and right).
- Back**
Returns to the previous screen.
- Menu**
Turns on contextual commands on the screen.
- Rewind**
Rewinds (long press) and skips back (short press). Behavior varies by app.
- Play / Pause**
Resumes or pauses playback.
- Forward**
Fast forwards (long press) and skips ahead (short press). Behavior varies by app.
- Volume Keys**
Volume + increases the volume and Volume - decreases the volume.
- Channel**
Channel goes to the next live TV channel, and channel goes to the previous live TV channel.
- Guide**
Brings up the live TV Channel Guide.
- Settings**
Activates quick settings overlay.
- Mute**
Mutes or unmutes the sound.
- Recents**
Opens a row of recently watched content so you can easily switch between content.
- Prime Video**
Launches Prime Video from any screen or when your TV is off.
- Netflix**
Launches Netflix from any screen or when your TV is off.
- Partner Button 1**
Launches the designated app from any screen, or when your TV is off.
- Partner Button 2**
Launches the designated app from any screen, or when your TV is off.



A Smarter TV Is Here

HD Picture Quality, Fire TV Experience Built-In, Voice Remote with Alexa



Access Your Favorite Content – All Through One Home Screen
Fire TV seamlessly integrates live over-the-air TV and streaming channels on a unified home screen.



Endless Entertainment
Watch over one million streaming movies and TV episodes with access to tens of thousands of channels, apps, and Alexa skills.



Control It With Your Voice – Voice Remote with Alexa
Use your voice to watch live TV, launch apps, search for titles, play music, switch inputs, control compatible smart home devices, and more.

Full Experience required to access all features described.

Access the online User Guide

Go to www.usca.pioneer-tv.com and search for your model number. Many questions regarding parts, service, and warranties can be answered by visiting the Support section of our website: www.usca.pioneer-tv.com

Contact Pioneer TV Customer Support Center

1-888-287-7658 (U.S. or Canada)

Contact Amazon Fire TV Customer Service

www.amazon.com/deviceservices/support

Press & ask



The terms HDMI, HDMI High-Definition Multimedia Interface, and the HDMI Logo are trademarks or registered trademarks of HDMI Licensing Administrator, Inc.

Dolby, Dolby Audio, and the double-D symbol are trademarks of Dolby Laboratories Licensing Corporation. Manufactured under license from Dolby Laboratories. Confidential unpublished works. Copyright © 1992–2019 Dolby Laboratories. All rights reserved.

For DTS patents, see <http://patents.dts.com>. Manufactured under license from DTS, Inc. DTS, TruSurround, and the DTS logo are registered trademarks or trademarks of DTS, Inc. in the United States and other countries. © 2021 DTS, Inc. ALL RIGHTS RESERVED.

Amazon, Fire, and all related marks are trademarks of Amazon.com, Inc. or its affiliates.

This device is not manufactured by Amazon.com, Inc. or any Amazon affiliate.

Certain services are subject to change at any time, may not be available in all areas and may require separate subscriptions.

PIONEER and the Pioneer logo are registered trademarks of Pioneer Corporation, and are used under license.

Distributed and warranted by Best Buy Purchasing LLC
7601 Penn Avenue South, Richfield, MN 55423 USA
©2022 Best Buy. All rights reserved.